

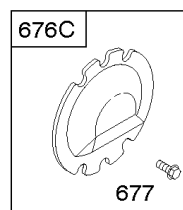
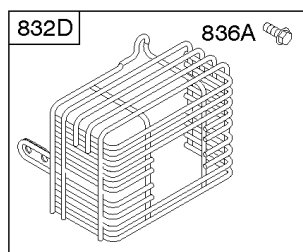
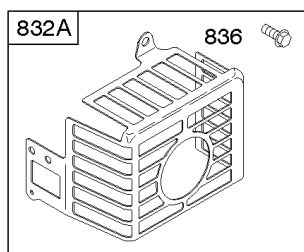
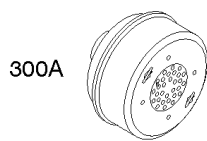
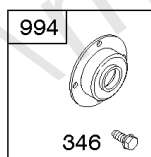
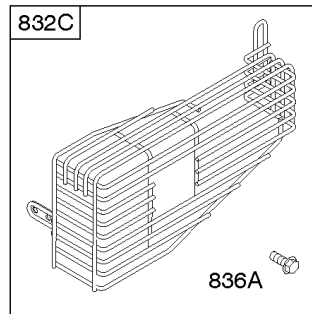
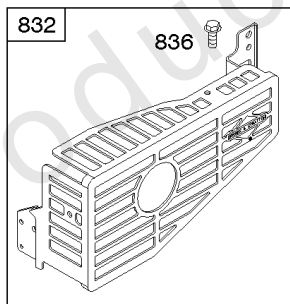
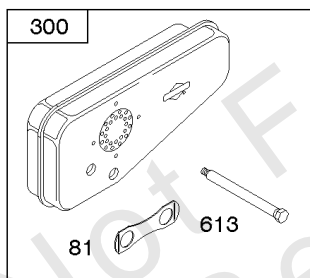
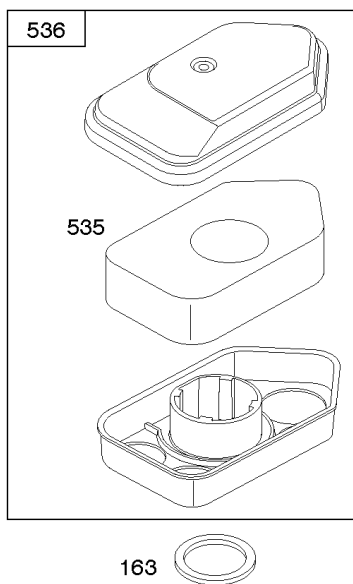
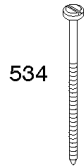


Parts Manual

Mfg. No: 10T502-1303-B1

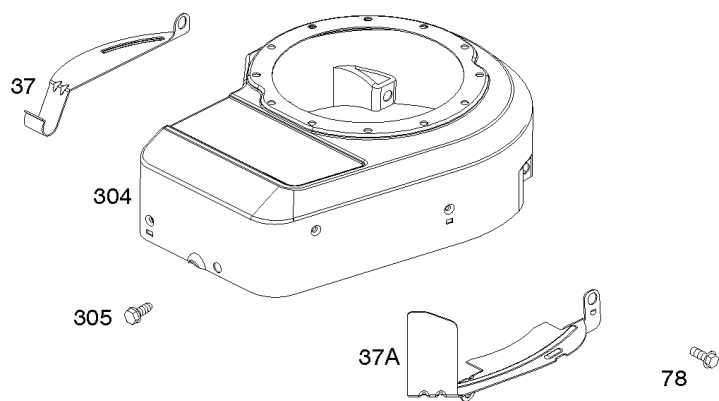
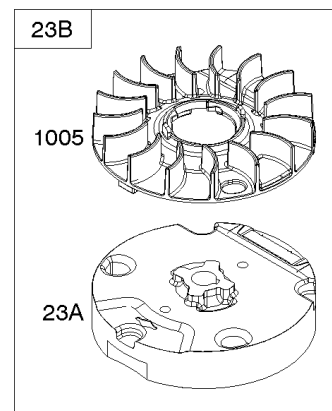
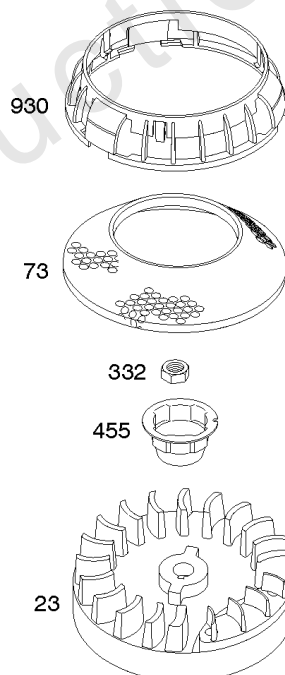
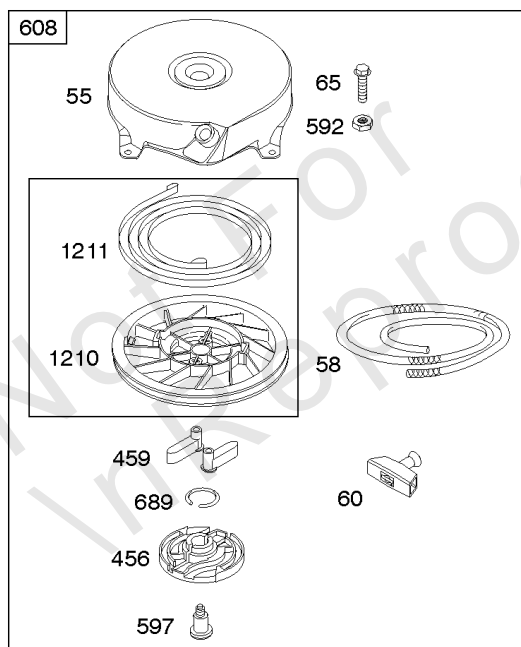
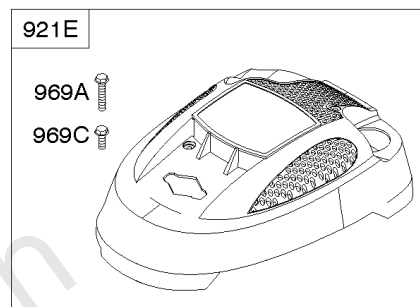
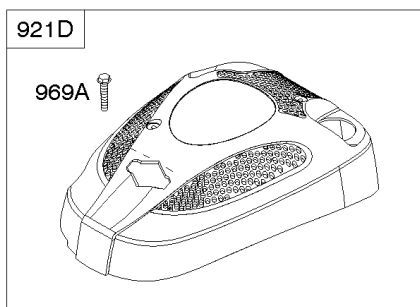
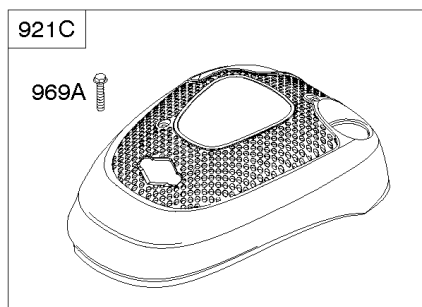
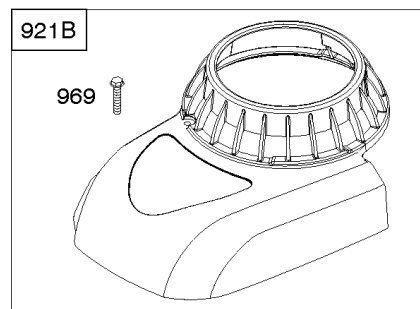
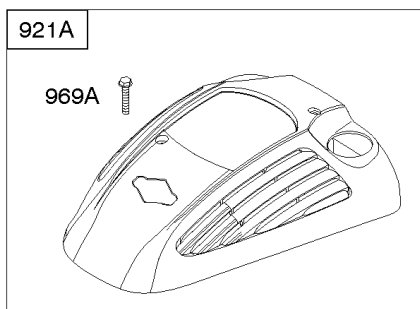
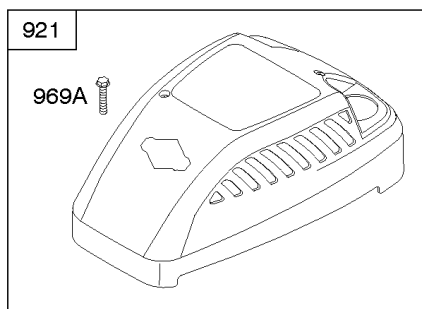
| Model Components | Page |
|--|-------------|
| Air Cleaner, Exhaust System..... | 4 |
| Blower Housing/Shrouds, Flywheel, Rewind Starter..... | 6 |
| Brake, Controls, Governor Spring, Ignition..... | 8 |
| Camshaft, Crankcase Cover/Sump, Crankshaft, Gasket Set - Engine, Gasket Set - Valve, Piston/Rings/ | 10 |
| Carburetor, Fuel Supply..... | 14 |
| Cylinder, Cylinder Head, Lubrication, Operator's Manual, Warning Label..... | 16 |
| Replacement Engine - US & Canada..... | 20 |

Not For
In Reproduction



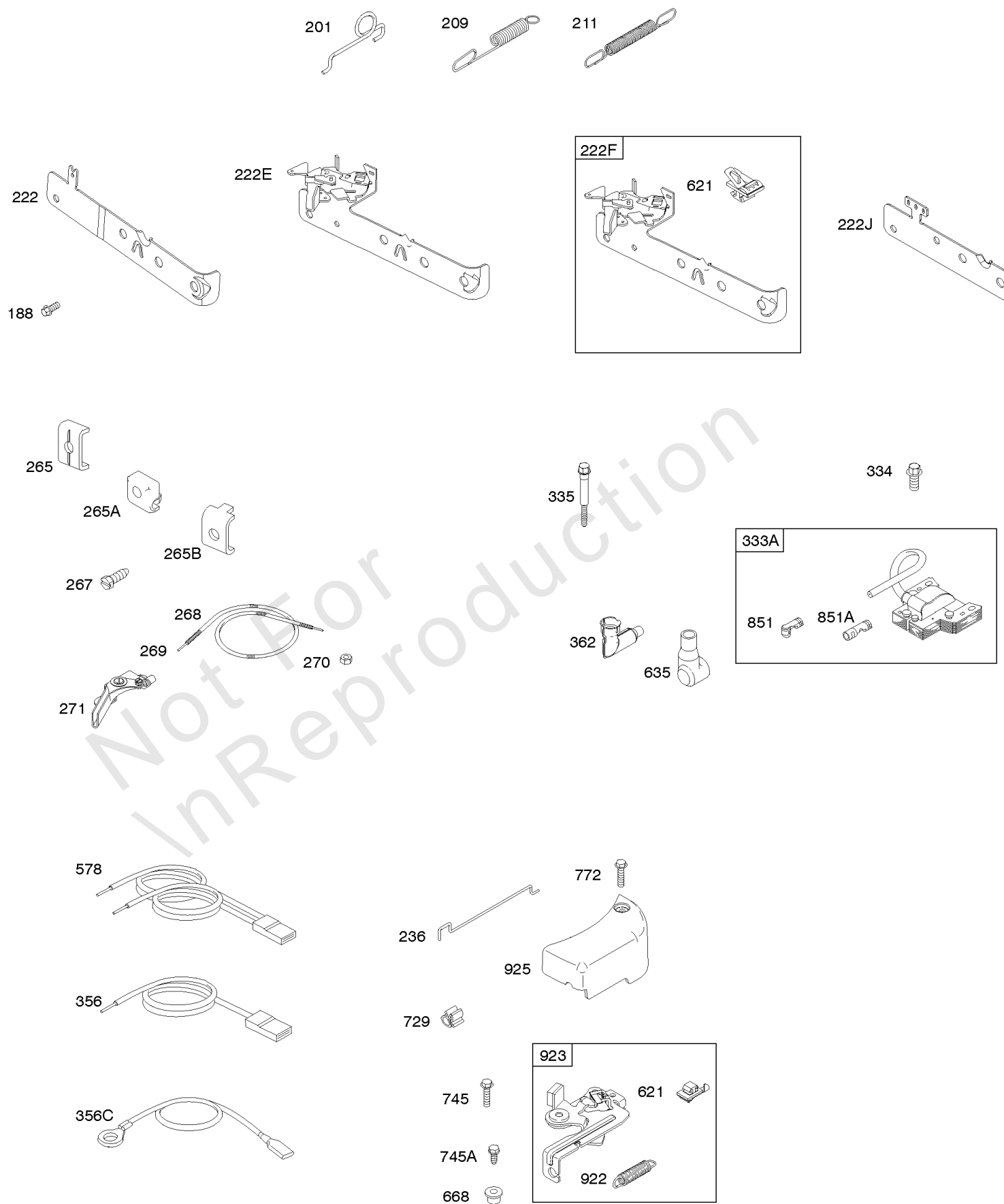
Air Cleaner, Exhaust System

| REF NO | PART NO | QTY | DESCRIPTION |
|---------------|----------------|------------|---------------------------------------|
| 81 | 691179 | | LOCK, Muffler Screw |
| 163 | 271139S | | GASKET, Air Cleaner -(Air Cleaner) |
| 300 | 692307 | | MUFFLER -(Super Lo Tone) |
| 300A | 394569S | | MUFFLER -(Round Lo Tone) |
| 534 | 691417 | | SCREW -(Air Cleaner) |
| 535 | 698369 | | FILTER, Air Cleaner Foam |
| 536 | 698472 | | CLEANER, Air |
| 613 | 691413 | | SCREW -(Muffler) |
| 676C | 393756 | | DEFLECTOR, Muffler -(Side Outlet) |
| 677 | 690661 | | SCREW -(Muffler Deflector) |
| 832C | 790743 | | GUARD, Muffler |
| 836 | 690664 | | SCREW -(Muffler Guard) (13/32) |
| 836A | 790745 | | SCREW -(Muffler Guard) (1/2) |
| 836B | 691125 | | SCREW -(Muffler Guard) (5/8) |
| 994 | 792245 | | ARRESTOR, Spark |



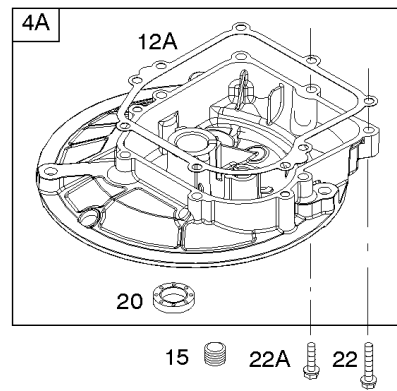
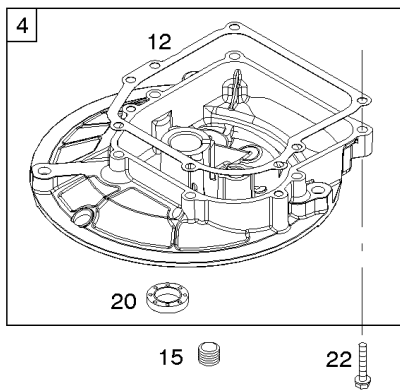
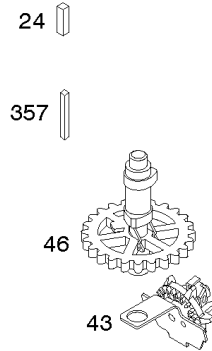
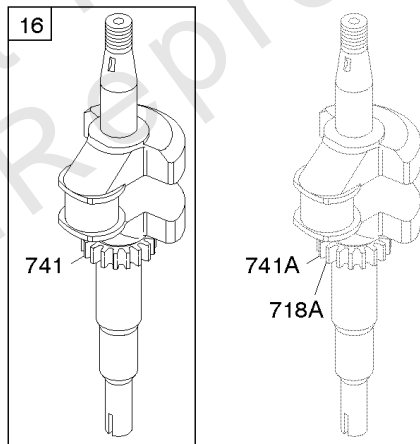
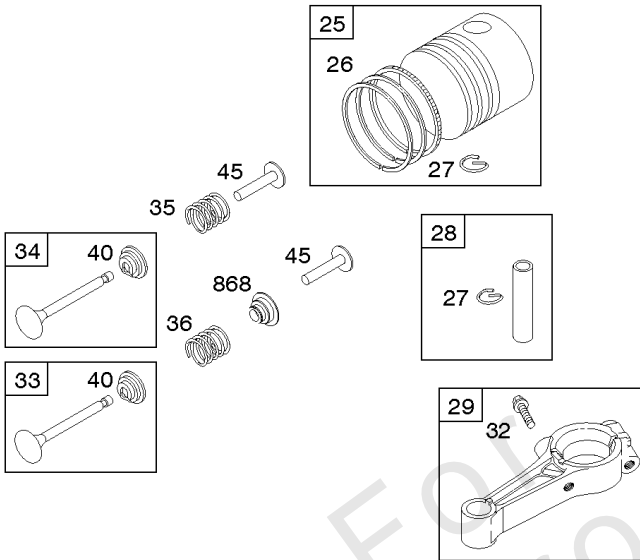
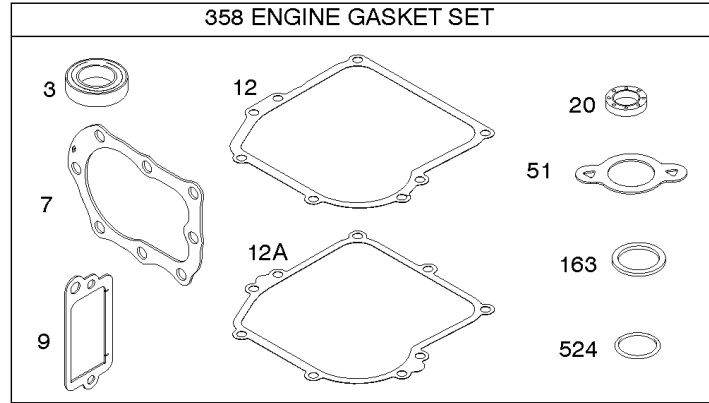
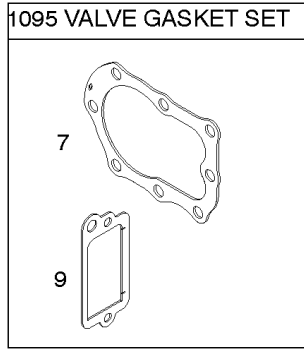
Blower Housing/Shrouds, Flywheel, Rewind Starter

| REF NO | PART NO | QTY | DESCRIPTION |
|--------|---------|-----|--|
| 23 | 799682 | | FLYWHEEL |
| 23A | 592003 | | FLYWHEEL |
| 23B | 592370 | | FLYWHEEL |
| 37 | 690482 | | GUARD, Flywheel -(Carburetor Side) |
| 37A | 691209 | | GUARD, Flywheel -(Muffler Side) |
| 55 | 692144 | | HOUSING, Rewind Starter |
| 58 | 697316 | | ROPE, Starter -(88 5/8) |
| 60 | 691915 | | GRIP, Starter Rope |
| 65 | 690837 | | SCREW -(Rewind Starter) |
| 73 | 699850 | | SCREEN, Rotating |
| 78 | 692198 | | SCREW -(Flywheel Guard) |
| 304 | 694236 | | HOUSING, Blower -(Compliance Engines) |
| 305 | 692198 | | SCREW -(Blower Housing) |
| 332 | 690662 | | NUT -(Flywheel) |
| 363 | 19069 | | PULLER, Flywheel |
| 455 | 691236 | | CUP, Flywheel |
| 456 | 692299 | | PLATE, Pawl Friction |
| 459 | 281505S | | PAWL, Ratchet |
| 592 | 690800 | | NUT -(Rewind Starter) |
| 597 | 691696 | | SCREW -(Pawl Friction Plate) |
| 608 | 499706 | | STARTER, Rewind -(88 5/8 Rope) |
| 689 | 691855 | | SPRING, Friction |
| 921B | 699796 | | HOUSING, Blower |
| 930 | 691348 | | GUARD, Rewind |
| 969 | 799013 | | SCREW -(Blower Housing) |
| 1005 | 592366 | | FAN, Flywheel |
| 1210 | 499901 | | PULLEY/SPRING ASSEMBLY -(Pulley) |
| 1211 | 499901 | | PULLEY/SPRING ASSEMBLY -(Spring) |



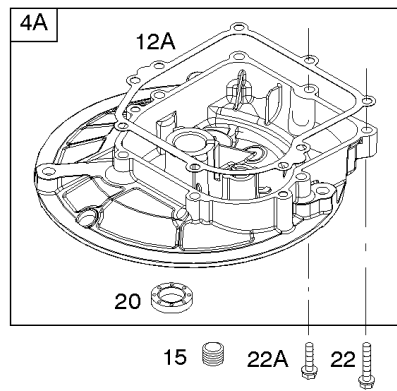
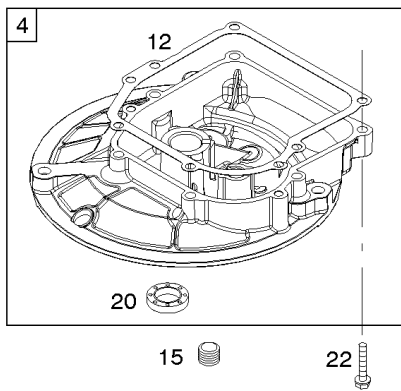
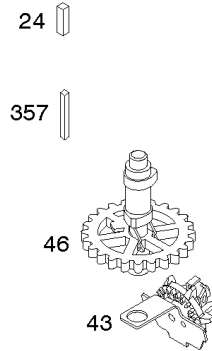
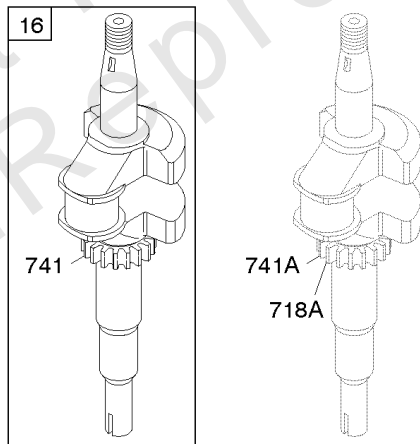
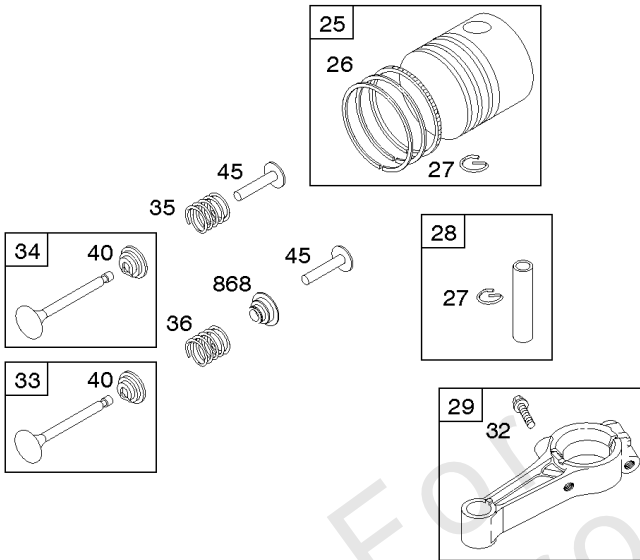
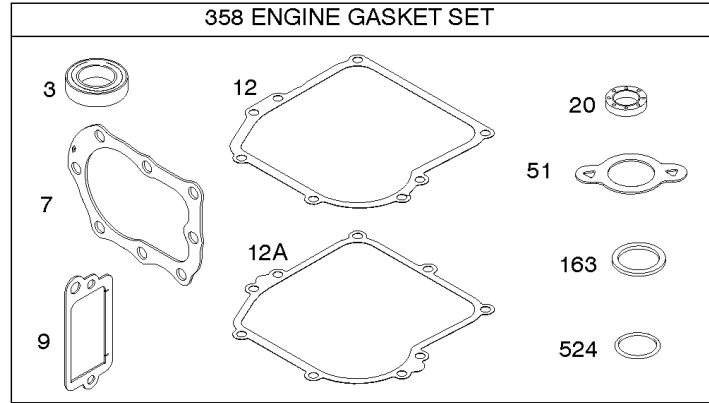
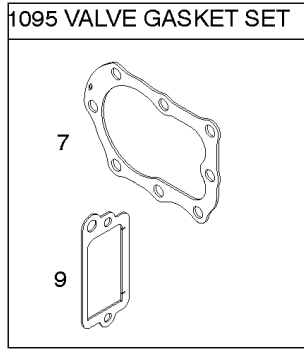
Brake, Controls, Governor Spring, Ignition

| REF NO | PART NO | QTY | DESCRIPTION |
|--------|---------|-----|---|
| 188 | 692198 | | SCREW -(Control Bracket) |
| 201 | 690347 | | LINK, Air Vane |
| 209 | 691297 | | SPRING, Governor |
| 211 | 691859 | | SPRING, Governed Idle |
| 222E | 691446 | | BRACKET, Control |
| 222J | 798686 | | BRACKET, Control |
| 236 | 591292 | | LINK, Lockout |
| 265B | 691024 | | CLAMP, Casing |
| 267 | 691044 | | SCREW -(Casing Clamp) |
| 268 | 691025 | | CASING, Control Wire -(Cut To Required Length) |
| 269 | 691026 | | WIRE, Control -(Cut To Required Length) |
| 270 | 691027 | | NUT -(Control Wire Casing) |
| 271 | 691028 | | LEVER, Control |
| 333A | 591420 | | ARMATURE, Magneto |
| 334 | 691061 | | SCREW -(Magneto Armature) (1" Long) |
| 335 | 691107 | | SCREW -(Magneto Armature With Air Vane) (1 15/16) |
| 356 | 692390 | | WIRE, Stop |
| 356C | 793399 | | WIRE, Stop |
| 362 | 793351 | | SHIELD, Spark Plug |
| 578 | 398153 | | WIRE ASSEMBLY |
| 621 | 692310 | | SWITCH, Stop |
| 635 | 66538S | | BOOT, Spark Plug |
| 668 | 692889 | | SPACER |
| 729 | 690586 | | CLIP, Wire |
| 745 | 691146 | | SCREW -(Brake) (7/8) |
| 745A | 690859 | | SCREW -(Brake) (1/2) |
| 772 | 691111 | | SCREW -(Linkage Cover) |
| 851 | 493880S | | TERMINAL, Spark Plug |
| 851A | 692424 | | TERMINAL, Spark Plug |
| 922 | 692135 | | SPRING, Brake |
| 923 | 691487 | | BRAKE |
| 925 | 691349 | | COVER, Linkage |



Camshaft, Crankcase Cover/Sump, Crankshaft, Gasket Set - Engine, Gasket Set - Valve,

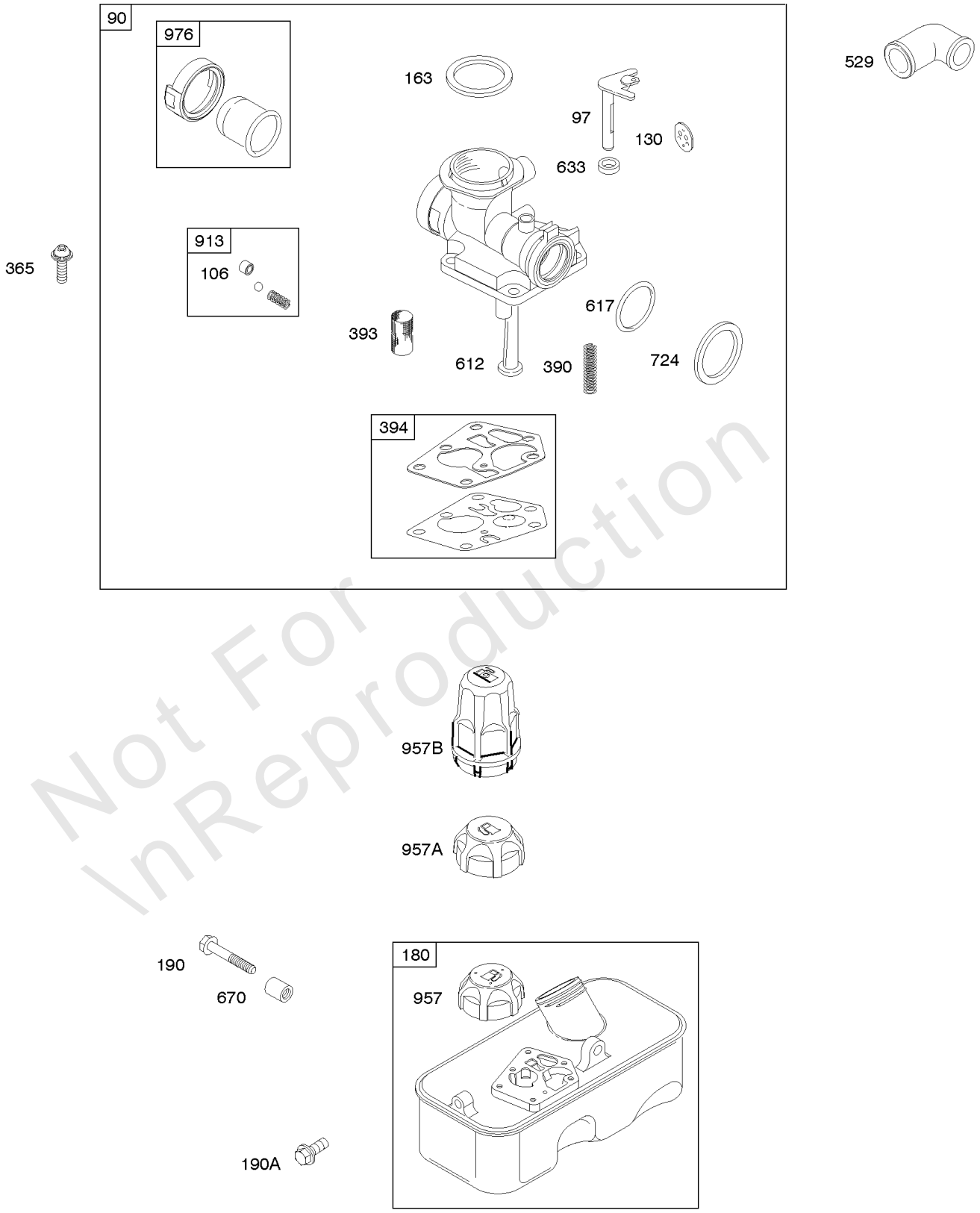
| REF NO | PART NO | QTY | DESCRIPTION |
|--------|---------|-----|--|
| 3 | 299819S | | SEAL, Oil -(Magneto Side) |
| 4 | 798264 | | SUMP, Engine -(Engines with 6 Sump Screws) |
| 4A | 590569 | | SUMP, Engine -(Engines with 7 Sump Screws) |
| 7 | 698717 | | GASKET, Cylinder Head |
| 9 | 695890 | | GASKET, Breather |
| 12 | 692218 | | GASKET, Crankcase -(.015)(Engines with 6 Sump Screws) |
| 12 | 270895 | | GASKET, Crankcase -(.005)(Engines with 6 Sump Screws) |
| 12 | 270896 | | GASKET, Crankcase -(.009)(Engines with 6 Sump Screws) |
| 12A | 799587 | | GASKET, Crankcase -(Engines with 7 Sump Screws) |
| 15 | 691680 | | PLUG, Oil Drain |
| 16 | 796217 | | CRANKSHAFT |
| 20 | 391483S | | SEAL, Oil -(PTO Side) |
| 22 | 692551 | | SCREW -(Crankcase Cover/Sump) |
| 22A | 590763 | | SCREW -(Crankcase Cover/Sump) |
| 24 | 222698S | | KEY, Flywheel |
| 25 | 795689 | | PISTON ASSEMBLY -(.020 Oversize) |
| 25 | 795691 | | PISTON ASSEMBLY -(Standard) |
| 26 | 795688 | | SET, Ring -(.020 Oversize) |
| 26 | 795690 | | SET, Ring -(Standard) |
| 27 | 691588 | | LOCK, Piston Pin |
| 28 | 699659 | | PIN, Piston -(Standard) |
| 29 | 699654 | | ROD, Connecting |
| 32 | 691664 | | SCREW -(Connecting Rod) |
| 33 | 296676 | | VALVE, Exhaust -(Grooved Stem-Includes Retainer) |
| 34 | 296677 | | VALVE, Intake -(Grooved stem-includes Retainer) |
| 35 | 690520 | | SPRING, Valve -(Intake) |
| 36 | 690520 | | SPRING, Valve -(Exhaust) |
| 40 | 692194 | | RETAINER, Valve |
| 43 | 698690 | | SLINGER, Governor/Oil |
| 45 | 691762 | | TAPPET, Valve |
| 46 | 691998 | | CAMSHAFT |
| 51 | 699649 | | GASKET, Intake |
| 163 | 271139S | | GASKET, Air Cleaner -(Air Cleaner) |
| 358 | 590777 | | GASKET SET, Engine |
| 524 | 691876 | | SEAL, O-Ring |
| 718A | 499047 | | PIN, Locating -(Crankshaft) |



Camshaft, Crankcase Cover/Sump, Crankshaft, Gasket Set - Engine, Gasket Set - Valve,

| REF NO | PART NO | QTY | DESCRIPTION |
|--------|---------|-----|----------------------------|
| 741 | 796210 | | GEAR, Timing -(Plastic) |
| 741A | 691805 | | GEAR, Timing -(Metal) |
| 868 | 697338 | | SEAL, Valve |
| 1095 | 498526 | | GASKET SET, Valve |

Not For In Reproduction



Carburetor, Fuel Supply

| REF NO | PART NO | QTY | DESCRIPTION |
|--------|---------|-----|---|
| 90 | 795477 | | CARBURETOR |
| 97 | 691931 | | SHAFT, Throttle |
| 106 | 691901 | | SEAT, Inlet |
| 130 | 691190 | | VALVE, Throttle |
| 163 | 271139S | | GASKET, Air Cleaner -(Air Cleaner) |
| 180 | 494406 | | TANK, Fuel -(Metal) |
| 190 | 691640 | | SCREW -(Fuel Tank) (1 3/4) |
| 190A | 691108 | | SCREW -(Fuel Tank) (9/16" Long) |
| 365 | 790029 | | SCREW -(Carburetor) |
| 390 | 691839 | | SPRING, Choke Diaphragm |
| 393 | 691837 | | SCREEN, Carburetor |
| 394 | 795083 | | DIAPHRAGM, Carburetor |
| 529 | 692189 | | GROMMET |
| 612 | 496046S | | TUBE, Pick Up |
| 617 | 270344S | | SEAL, O-Ring -(Intake Manifold) |
| 633 | 691321 | | SEAL, Choke/Throttle Shaft -(Throttle) |
| 670 | 691633 | | SPACER, Fuel Tank |
| 724 | 697478 | | RETAINER, Seal |
| 913 | 494409 | | SEAT, Valve |
| 957 | 497929S | | CAP, Fuel Tank -(Plastic) |
| 957B | 792878 | | CAP, Fuel Tank -(Plastic) |
| 976 | 694394 | | PRIMER, Carburetor |

1319 WARNING LABEL

REQUIRED when replacing parts with warning labels affixed.

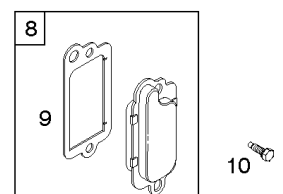
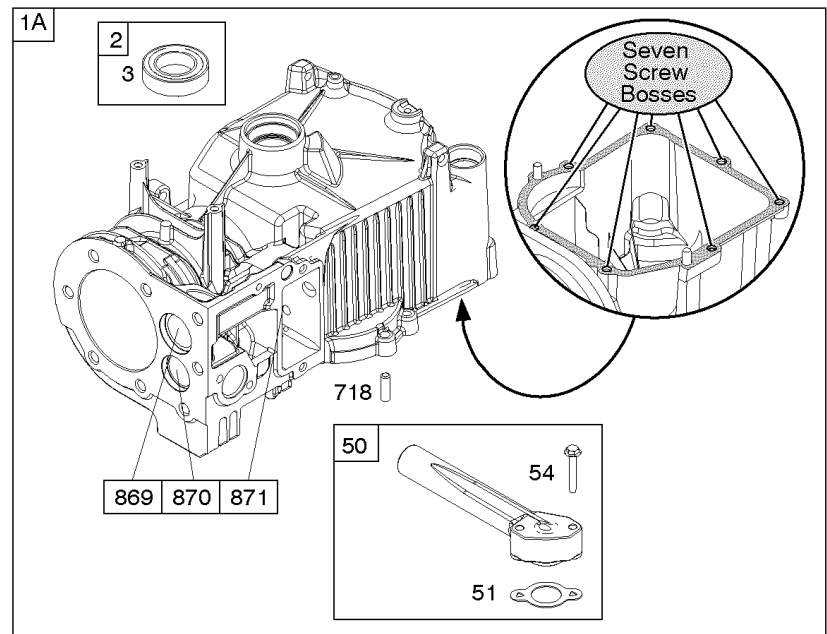
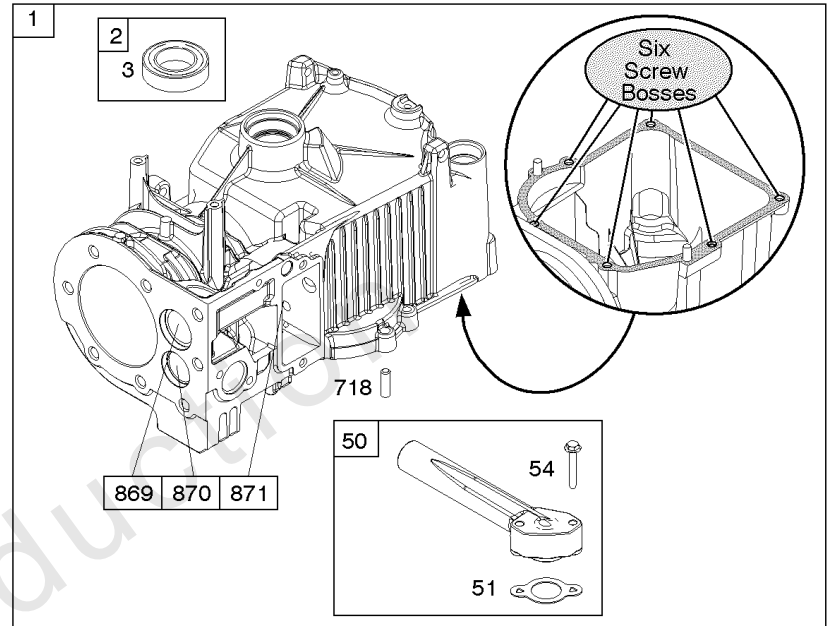
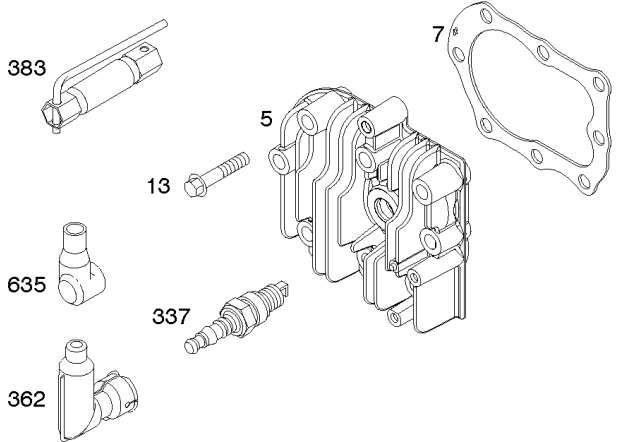
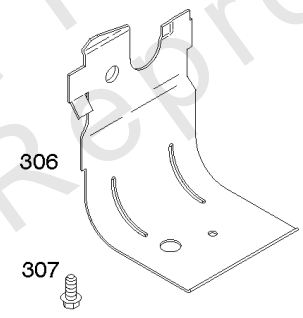
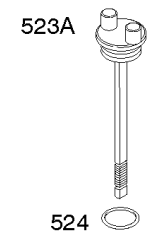
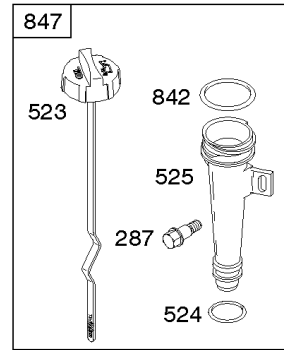
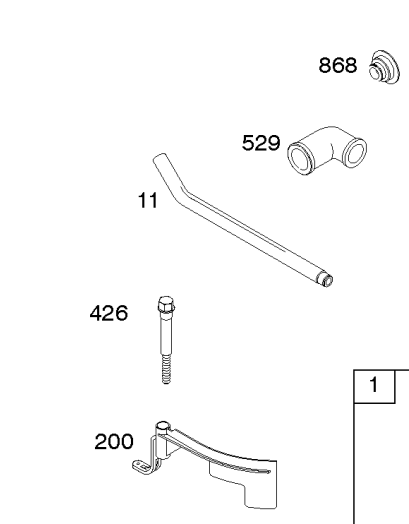
1319A WARNING LABEL

REQUIRED when replacing parts with warning labels affixed.

1058 OPERATOR'S MANUAL

1330 REPAIR MANUAL

1036 EMISSIONS LABEL



Cylinder, Cylinder Head, Lubrication, Operator's Manual, Warning Label

| REF NO | PART NO | QTY | DESCRIPTION |
|--------|---------|-----|--|
| 1 | 699653 | | CYLINDER ASSEMBLY -(Engines with 6 Sump Screws) |
| 1A | 590772 | | CYLINDER ASSEMBLY -(Engines with 7 Sump Screws) |
| 2 | 796961 | | KIT, Bushing/Seal -(Magneto Side) |
| 3 | 299819S | | SEAL, Oil -(Magneto Side) |
| 5 | 790169 | | HEAD, Cylinder |
| 7 | 698717 | | GASKET, Cylinder Head |
| 8 | 791781 | | BREATHER ASSEMBLY |
| 9 | 695890 | | GASKET, Breather |
| 10 | 691666 | | SCREW -(Breather Assembly) |
| 11 | 691245 | | TUBE, Breather |
| 13 | 691640 | | SCREW -(Cylinder Head) |
| 50 | 699644 | | MANIFOLD, Intake |
| 51 | 699649 | | GASKET, Intake |
| 54 | 691111 | | SCREW -(Intake Manifold) |
| 200 | 691912 | | BLADE, Governor |
| 287 | 691002 | | SCREW -(Dipstick Tube) |
| 306 | 690400 | | SHIELD, Cylinder |
| 307 | 690345 | | SCREW -(Cylinder Shield) |
| 337 | 796112S | | PLUG, Spark |
| 362 | 793351 | | SHIELD, Spark Plug |
| 383 | 89838S | | WRENCH, Spark Plug |
| 426 | 691107 | | SCREW -(Governor Blade) |
| 523 | 692040 | | DIPSTICK |
| 524 | 691876 | | SEAL, O-Ring |
| 525 | 691320 | | TUBE, Dipstick |
| 529 | 692189 | | GROMMET |
| 635 | 66538S | | BOOT, Spark Plug |
| 718 | 690959 | | PIN, Locating -(Cylinder) |
| 842 | 691870 | | SEAL, O-Ring -(Dipstick Tube) |
| 847 | 691440 | | DIPSTICK/TUBE ASSEMBLY |
| 868 | 697338 | | SEAL, Valve |
| 869 | 699641 | | SEAT, Valve -(Intake) |
| 870 | 699642 | | SEAT, Valve -(Exhaust) |
| 871 | 63709 | | BUSHING, Valve Guide -(Intake) |
| 871 | 699643 | | BUSHING, Valve Guide -(Exhaust) |
| 1036 | ----- | | Label-Emissions -(Available From A Briggs & Stratton Authorized Dealer) |
| 1058 | 277038 | | MANUAL, Operator's |
| 1319 | 794467 | | LABEL, Warning |
| 1319A | 797669 | | LABEL, Warning |

1319 WARNING LABEL

REQUIRED when replacing parts with warning labels affixed.

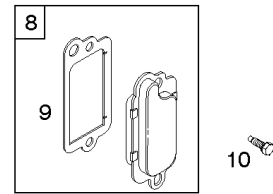
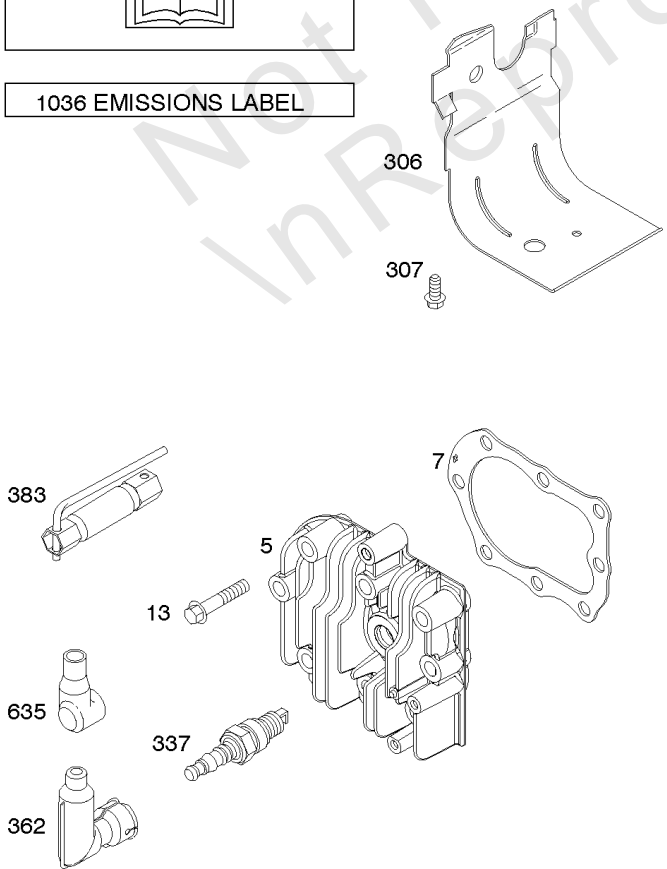
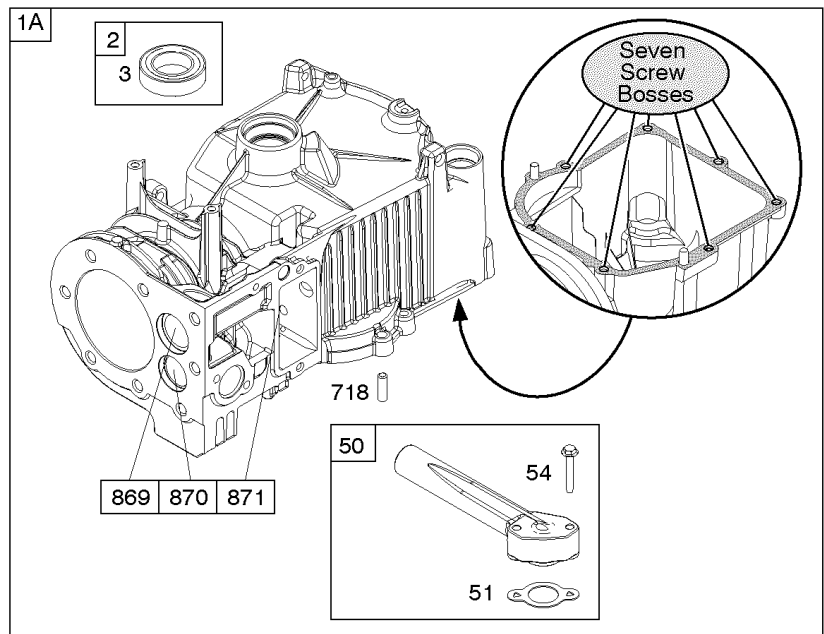
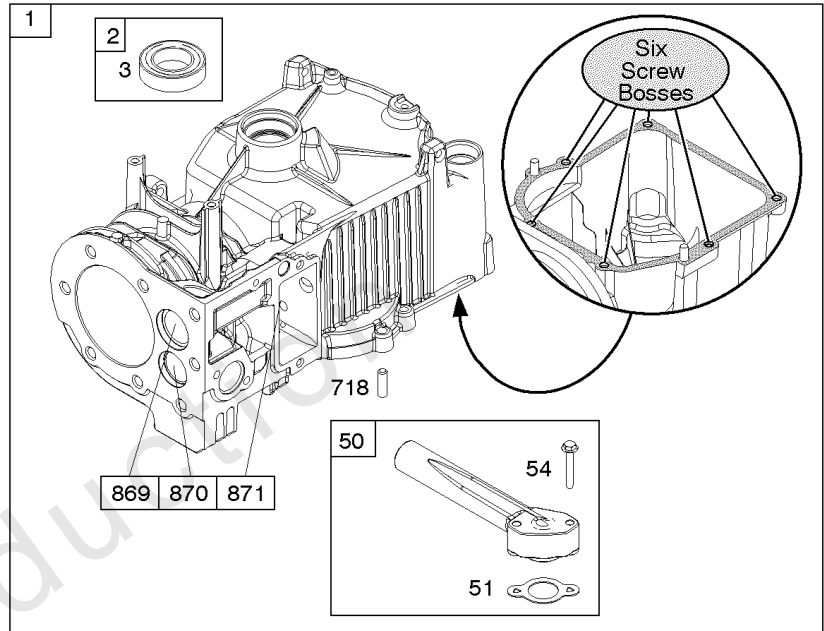
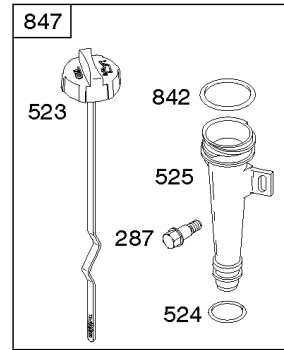
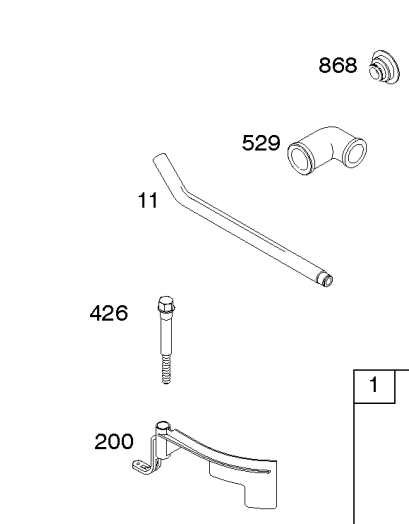
1319A WARNING LABEL

REQUIRED when replacing parts with warning labels affixed.

1058 OPERATOR'S MANUAL

1330 REPAIR MANUAL

1036 EMISSIONS LABEL



Cylinder, Cylinder Head, Lubrication, Operator's Manual, Warning Label

| REF NO | PART NO | QTY | DESCRIPTION |
|--------|---------|-----|----------------|
| 1330 | 270962 | | MANUAL, Repair |

Not For In Reproduction

Replacement Engine - US & Canada

| REF NO | PART NO | QTY | DESCRIPTION |
|--------|------------|-----|--|
| | 10T8020015 | 1 | Replacement Engine |
| | 398210 | 1 | Replacement Short Block |
| | ----- | | Top No-Load Speed: 3200 -Trim: ALL |
| | ----- | | Service Note: Replacement engine listed is not available in the State of California. Repair with Short Block and individual parts. |

Not For In Reproduction

